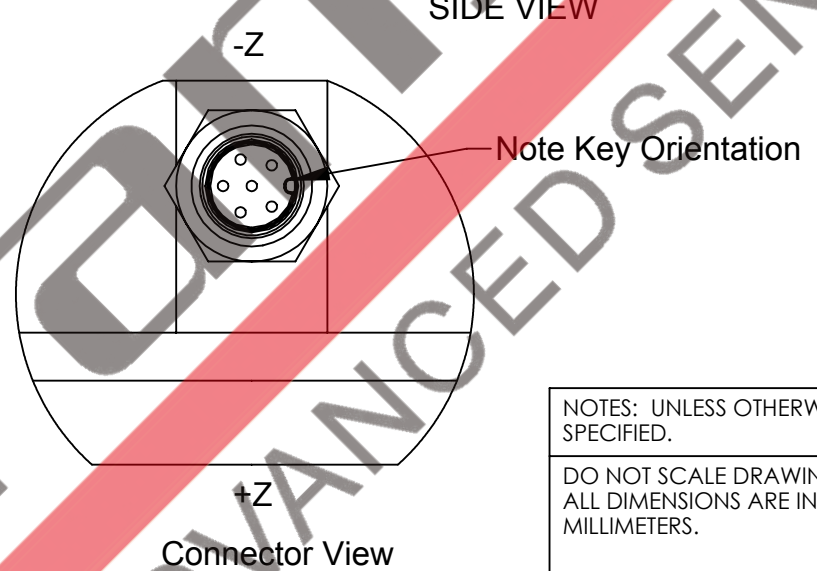
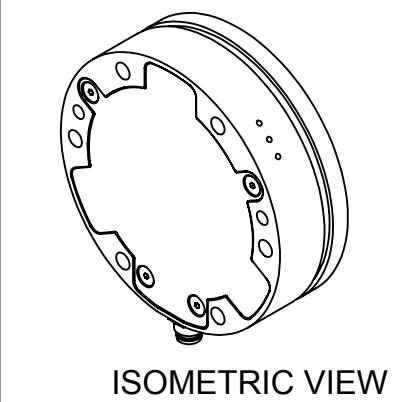
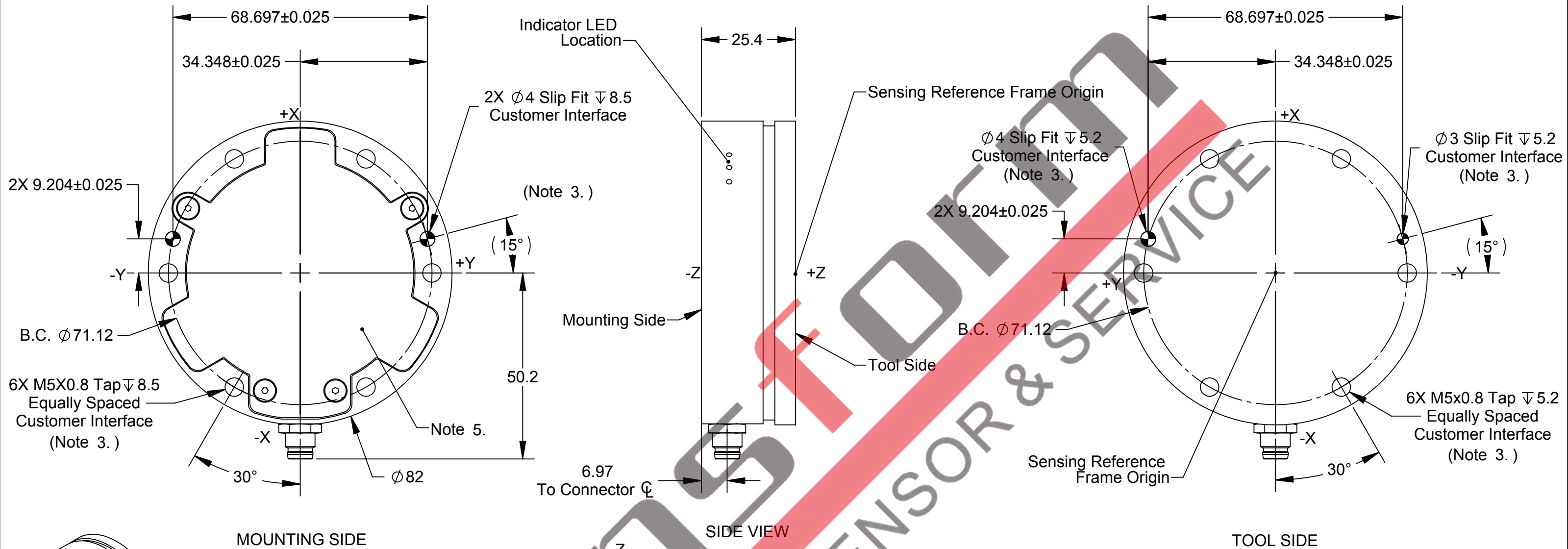


| Rev. | Description | Initiator | Date |
|------|-----------------|-----------|---------|
| 01 | Initial Release | ANG | 11/4/16 |



- Notes:
1. Material: Aluminum and Stainless Steel
 2. Do not touch internal electronics or instrumentation. This could damage transducer and will void the warranty.
 3. Do not exceed interface depth, may cause incorrect readings.
 4. For best accuracy, transducer must be mounted to a surface rigid enough to support loads without deflection
 5. Recessed cover plate surface is not structural. Mount transducer to a flat surface that makes contact around the perimeter.

NOTES: UNLESS OTHERWISE SPECIFIED.
DO NOT SCALE DRAWING. ALL DIMENSIONS ARE IN MILLIMETERS.



1031 Goodworth Drive, Apex, NC 27539, USA
Tel: +1.919.772.0115 Email: info@ati-ia.com
Fax: +1.919.772.8259 www.ati-ia.com
ISO 9001 Registered Company

PROPERTY OF ATI INDUSTRIAL AUTOMATION, INC. NOT TO BE REPRODUCED IN ANY MANNER EXCEPT ON ORDER OR WITH PRIOR WRITTEN AUTHORIZATION OF ATI.

| | | | |
|------------------------------|--------------|-----------------------------|-------------|
| DRAWN BY: A. Glusiec 11/4/16 | | TITLE | |
| CHECKED BY: I. Stern 11/4/16 | | Axia80 Force/Torque Sensor | |
| PROJECT # 141028-1 | SHEET 1 OF 1 | SCALE 1:1 | SIZE B |
| | | DRAWING NUMBER 9230-05-1507 | REVISION 01 |

