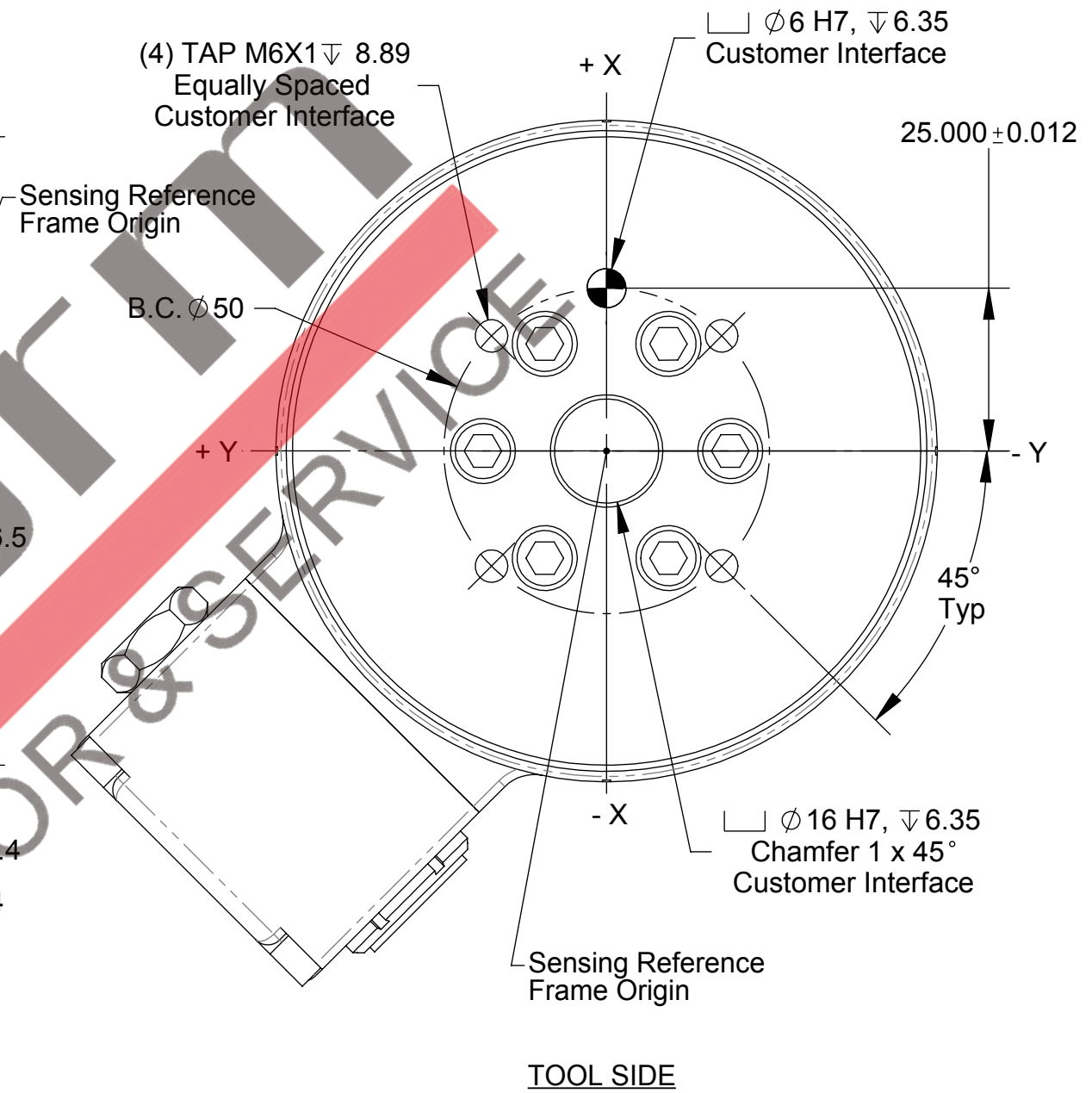
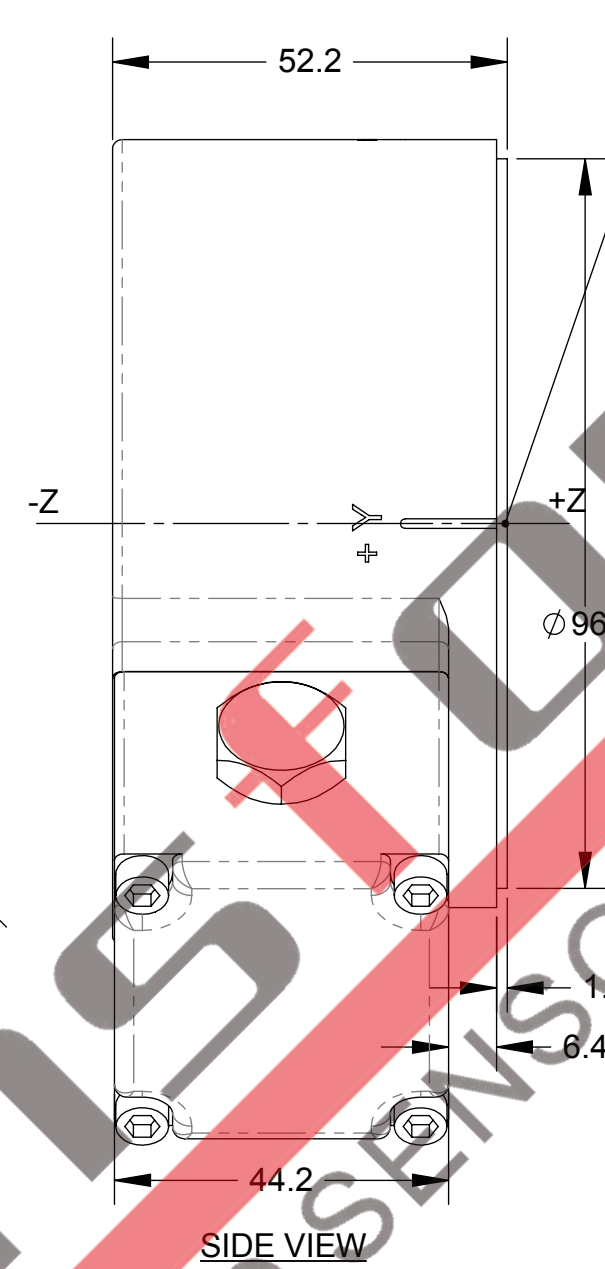
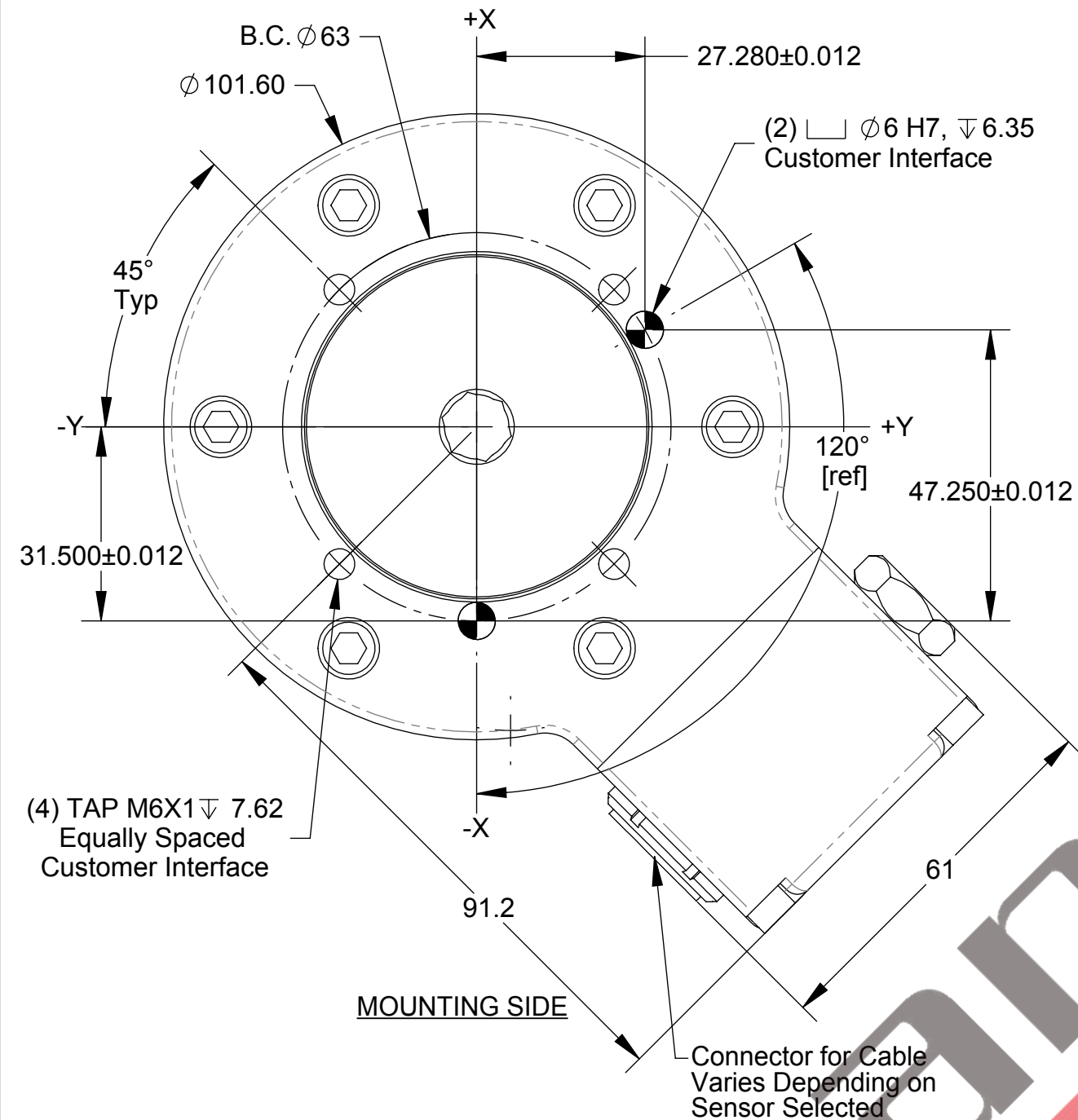
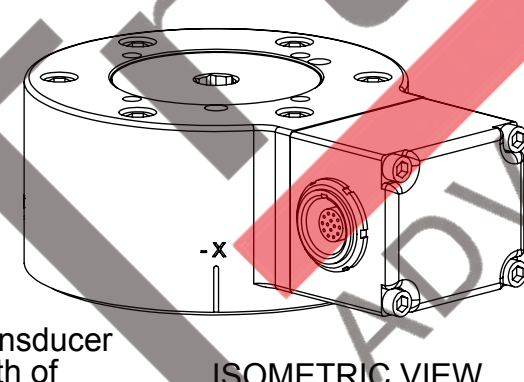


Rev.	Description	Initiator	Date
02	Updated model link.	PS	3/4/2006



- NOTES:
1. MATERIAL: Stainless Steel
  2. Sensing Reference frame origin at surface center of tool adapter.
  3. Do not disassemble transducer. Doing so could damage transducer and void warranty.
  4. For best accuracy, transducer must be mounted to surfaces rigid enough to support loads without deflection.
  5. Cable must be connected to Transducer to maintain proper seal.
  6. Cable is only IP68 rated at Transducer End. Transducer is IP68 rated in freshwater environment at a depth of up to 10 meters.



NOTES: UNLESS OTHERWISE SPECIFIED  
 DO NOT SCALE DRAWING. DRAWN IN SOLIDWORKS.  
 ALL DIMENSIONS ARE IN MILLIMETERS.



1031 Goodworth Drive, Apex, NC 27539, USA  
 Tel: +1.919.772.0115 Email: info@ati-ia.com  
 Fax: +1.919.772.8259 www.ati-ia.com  
 ISO 9001 Registered Company

DRAWN BY: P.Sparrow, 2/16/06	TITLE: IP68-10m DELTA Transducer		
CHECKED BY: D.Norton, 2/17/06	SCALE: 1:1	SIZE: B	DRAWING NUMBER: 9230-05-1272-02
WEIGHT LBS: 5.8	PRODUCT RELEASE #	DATE:	SHEET 1 OF 1
ASSEMBLY REF:			

