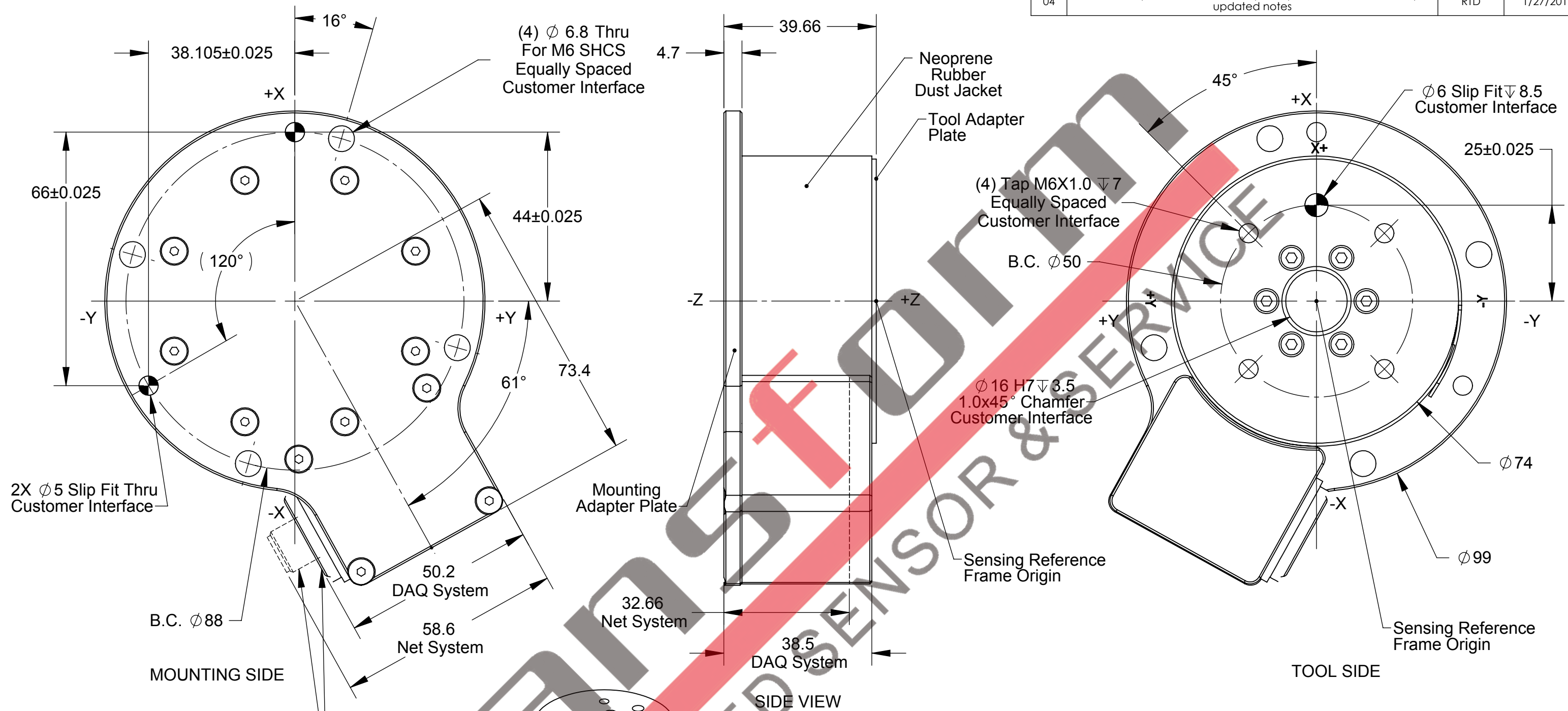


Rev.	Description	Initiator	Date
03	Added Net dimensions	RKC	5/13/2009
04	Eco 15243; Corrected dim 39.66, 32.66, 6mm and 5mm dowels, updated notes	RTD	1/27/2017

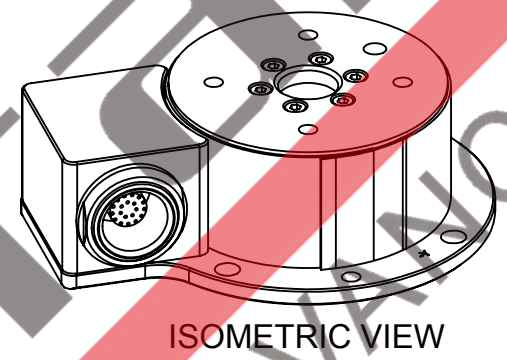


2X $\phi 5$ Slip Fit Thru Customer Interface

B.C. $\phi 88$

MOUNTING SIDE

Connector For Cable Varies Depending on Sensor Selected



ISOMETRIC VIEW

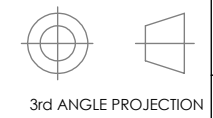
NOTES: UNLESS OTHERWISE SPECIFIED.
DO NOT SCALE DRAWING. ALL DIMENSIONS ARE IN MILLIMETERS.



1031 Goodworth Drive, Apex, NC 27539, USA
Tel: +1.919.772.0115 Email: info@ati-ia.com
Fax: +1.919.772.8259 www.ati-ia.com
ISO 9001 Registered Company

PROPERTY OF ATI INDUSTRIAL AUTOMATION, INC. NOT TO BE REPRODUCED IN ANY MANNER EXCEPT ON ORDER OR WITH PRIOR WRITTEN AUTHORIZATION OF ATI.

- Notes:
1. Material: Stainless Steel and Aluminum
 2. Sensing Reference Frame Origin at surface center of Tool Adapter.
 3. Do not disassemble transducer. Doing so could damage transducer and will void warranty.
 4. For best accuracy, transducer must be mounted to a surface rigid enough to support loads without deflection.



DRAWN BY: R. Chambers 6/25/08		TITLE	
CHECKED BY: P.Fusco 6/26/08		IP60 Gamma Transducer	
PROJECT # 080602-1	SHEET 1 OF 1	SCALE 1:1	SIZE B
DRAWING NUMBER 9230-05-1335		REVISION 04	